

NEW

SLIMLINE CAPELLA flair TELESCOPIC

CORNER ENTRY Shower Enclosure



Thank you for choosing a Flair product.

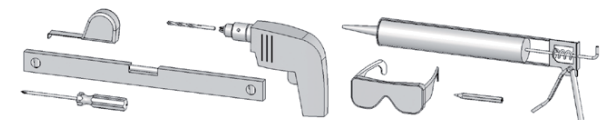
Flair Showers Ltd. is EN ISO 9001:2000 certified

This product is fully compliant with EN14428
(European Standard for Functional Requirements and
Test Methods for Shower Enclosures)

BEFORE YOU INSTALL YOUR CAPELLA SHOWER ENCLOSURE PLEASE READ ALL INSTRUCTIONS. FAILURE TO DO SO MAY LEAD TO INVALIDATION OF YOUR WARRANTY

- The shower tray **MUST** be fitted level, tiled in and sealed along its entire wall length.
- Glass door edges are vulnerable. Contact with hard surfaces may result in glass breakage.
- The shower enclosure should be sealed on the outside using silicone sealant.
- Check walls for electrical cabling or water pipes before drilling.

Tools required
to install your
shower
enclosure



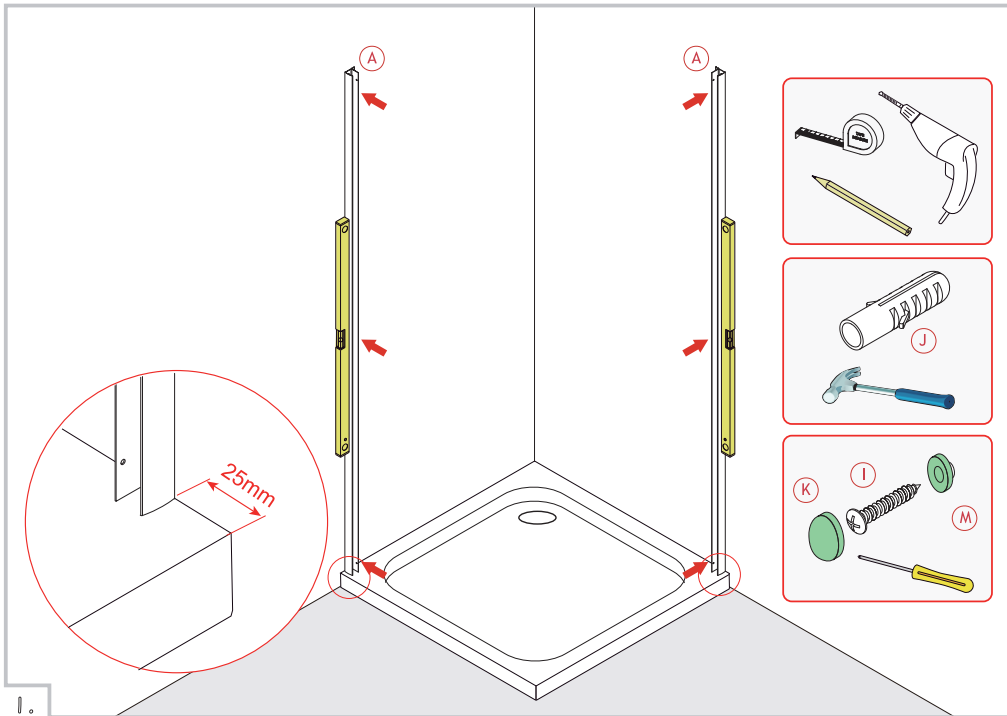
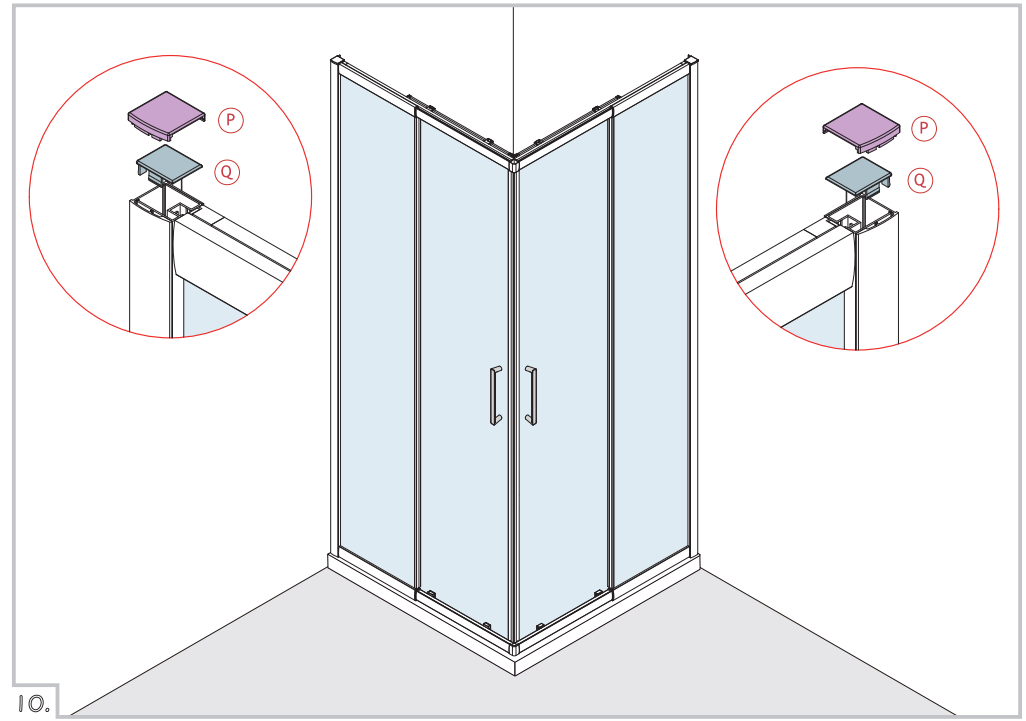
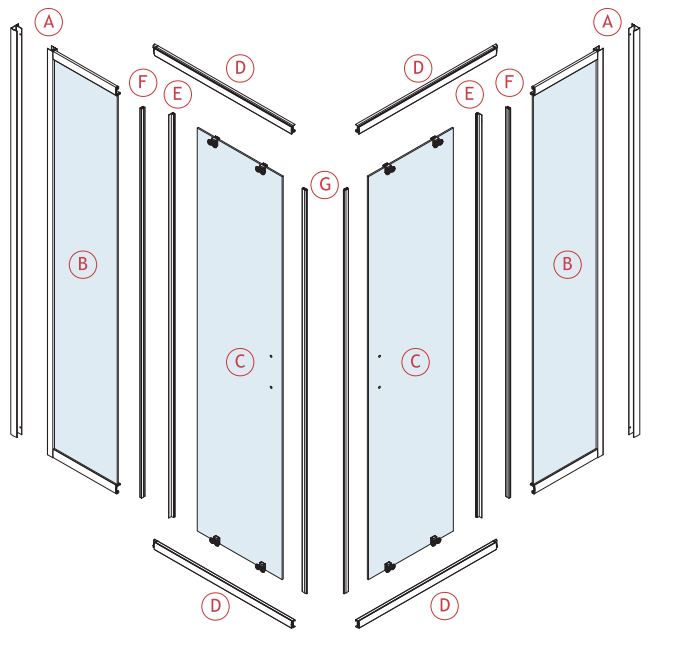
Flair Showers Ltd. Baillieborough, Co. Cavan, Ireland. Sales Office Direct Telephone: +353 42 9665294
Where a shower enclosure has been installed contrary to these instructions Flair Showers Ltd cannot
accept liability for any consequential loss or damage.
www.flairshowers.com



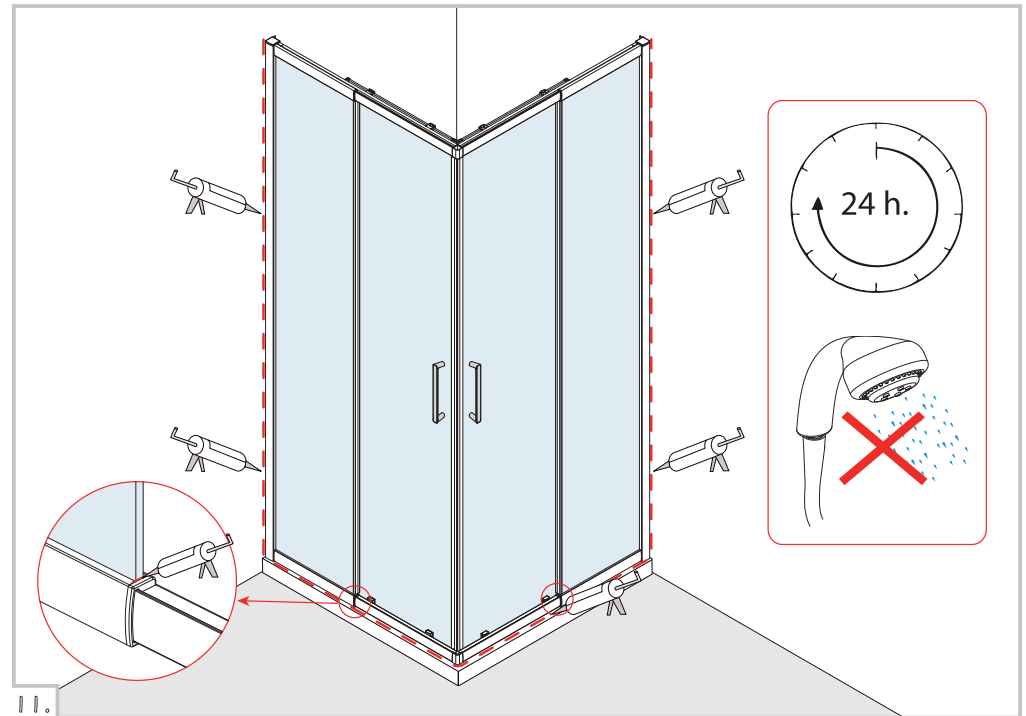
Slimline Capella

Installation Instructions

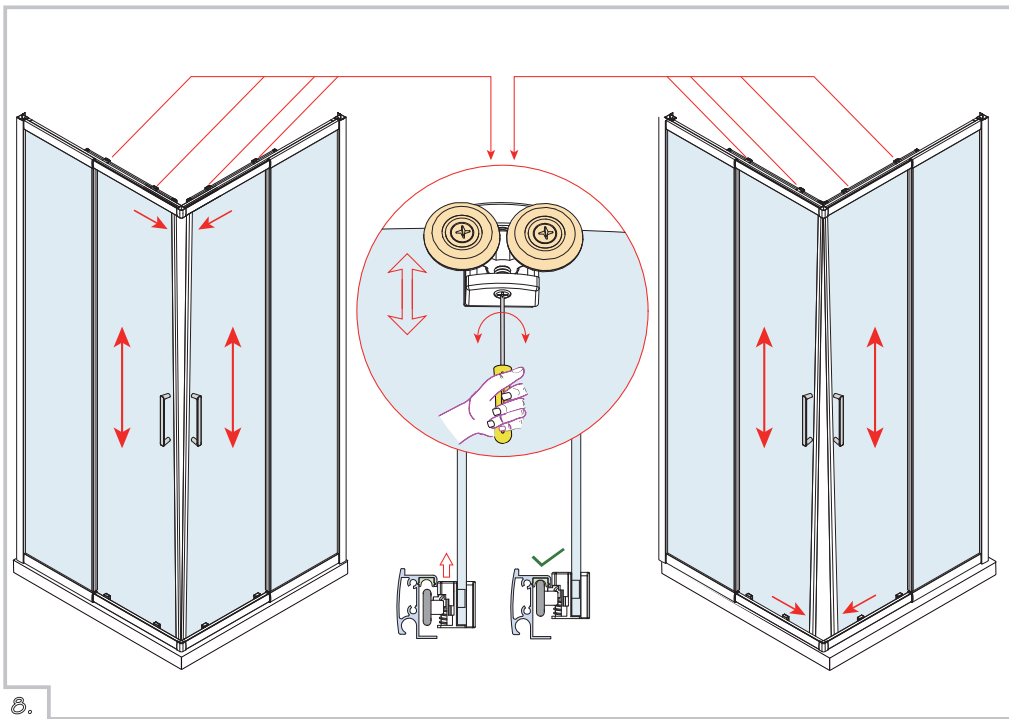
ITEM		Quant.
(H)		2 Pc
(I)		6 Pc
(J)		6 Pc
(K)		16 Pc
(L)		10 Pc
(M)		16 Pc
(N)		2 Pc
(O)		4 Pc
(P)		1+1 Pc
(Q)		2 Pc
(R)		1+1 Pc
(S)		1 Pc



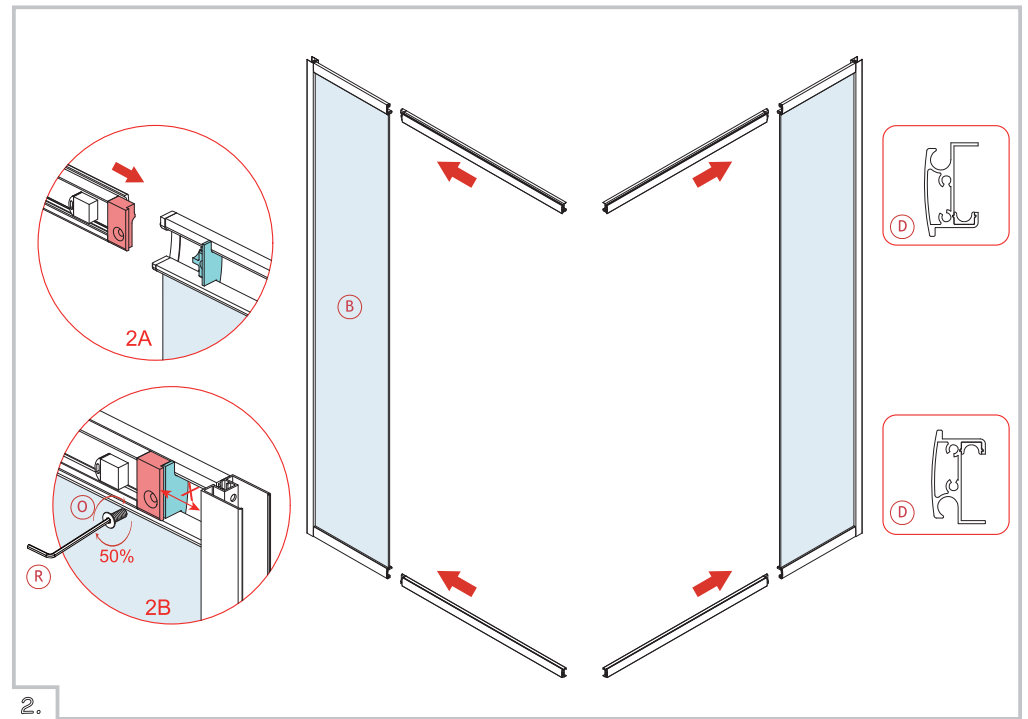
2.



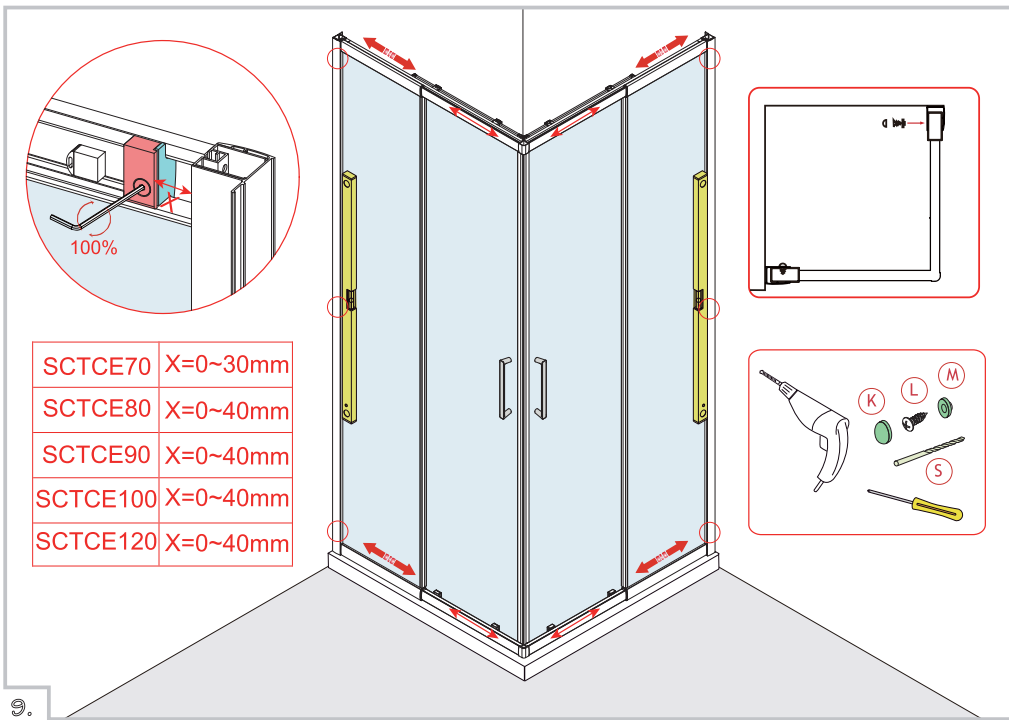
7.



1.



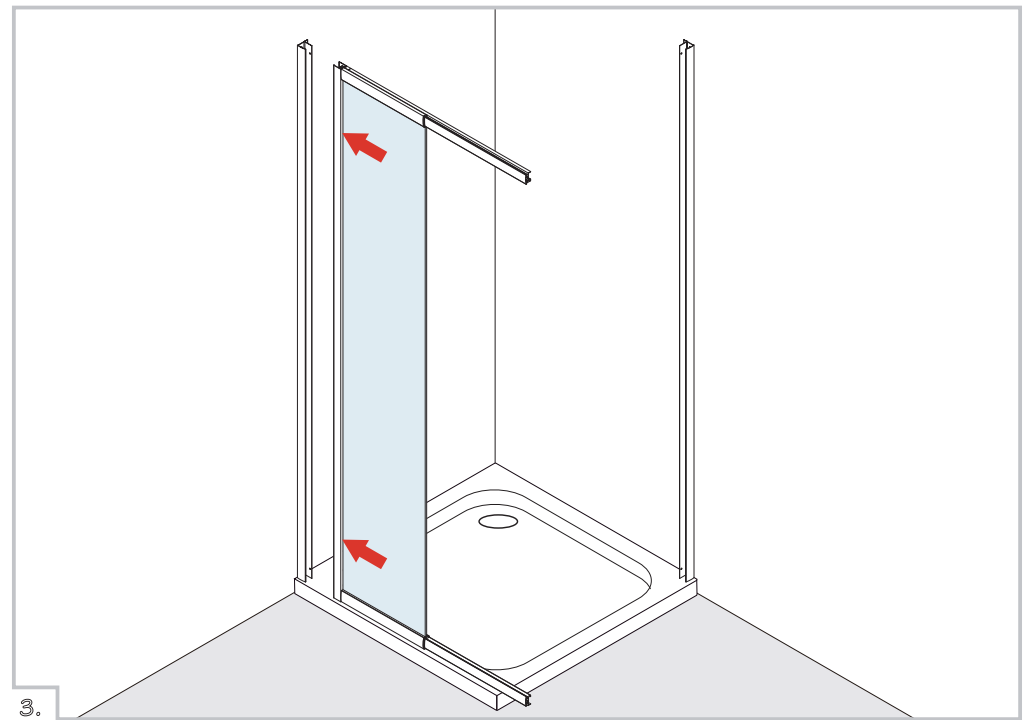
2.



3.

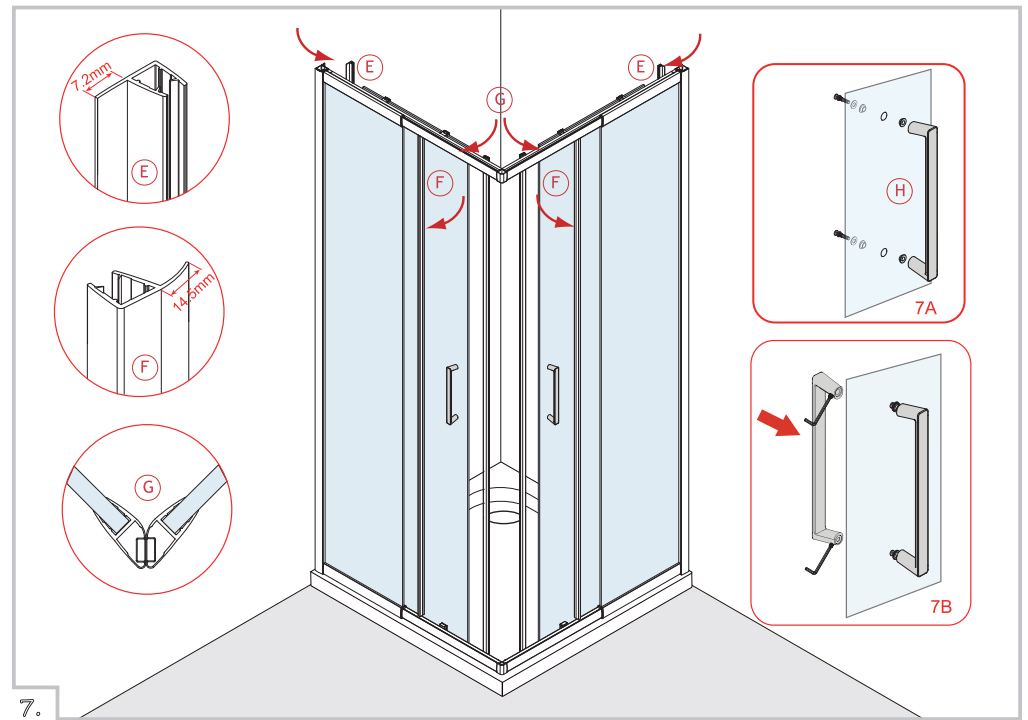
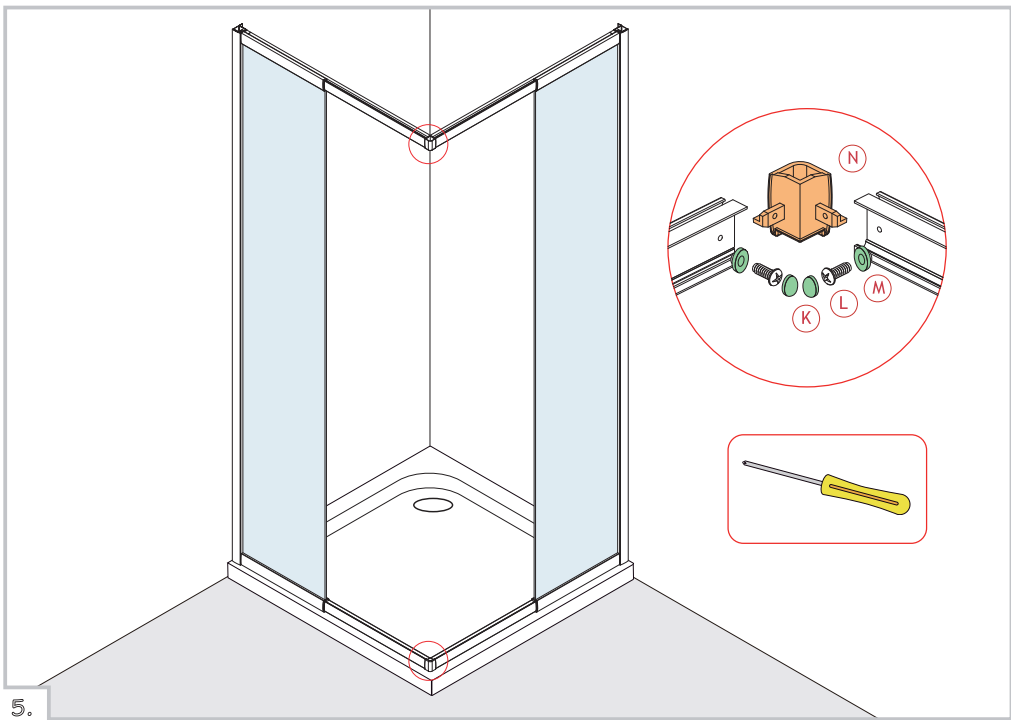
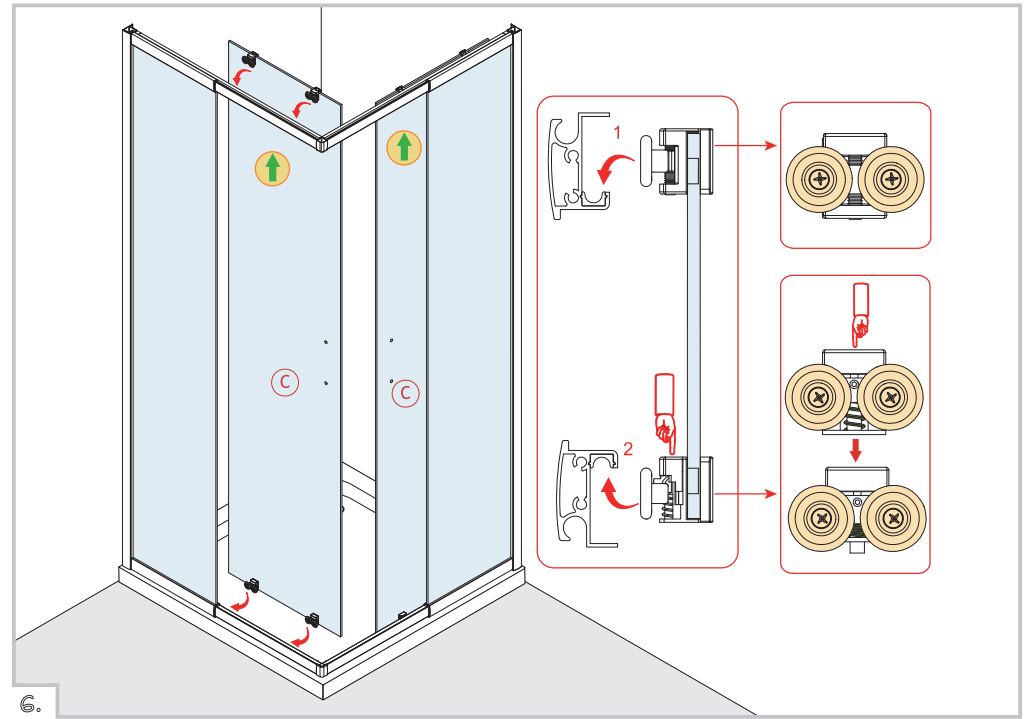
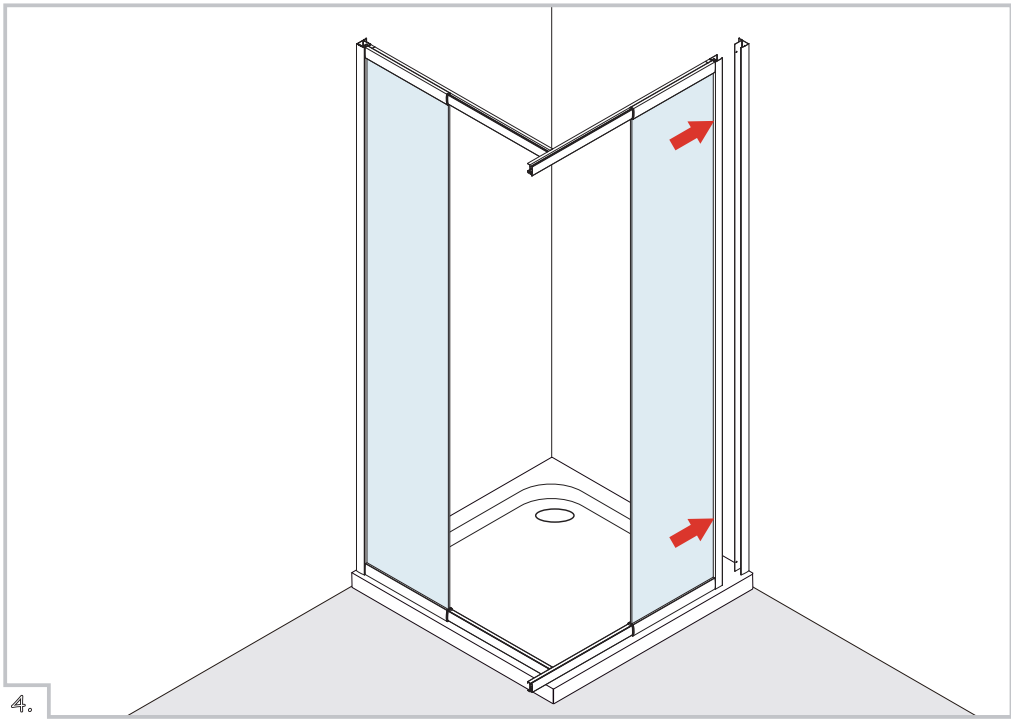
SCTCE70	X=0~30mm
SCTCE80	X=0~40mm
SCTCE90	X=0~40mm
SCTCE100	X=0~40mm
SCTCE120	X=0~40mm

6.



3.

3.



4.

5.